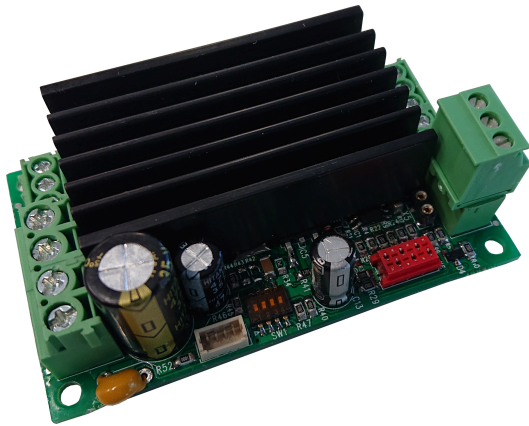


# EM-348-PLI DC-MOTOR CONTROLLER

## 12-24V, 15A, Rs-485, Modbus



### FEATURES

- Integrated Rs-485 bus
- Modbus RTU
- Parameter setting with Bus
- Control and monitor with Bus
- High current output
- Current limit
- 2ch pulse counter inputs
- pulse counter limits.
- Zero current trip
- Overvoltage brake
- Speed setting
- Magnetic brake control output
- Flexible control inputs
- Rail base mountable
- Low EMC emissions
- Firmware v2.0, param. 10 extended

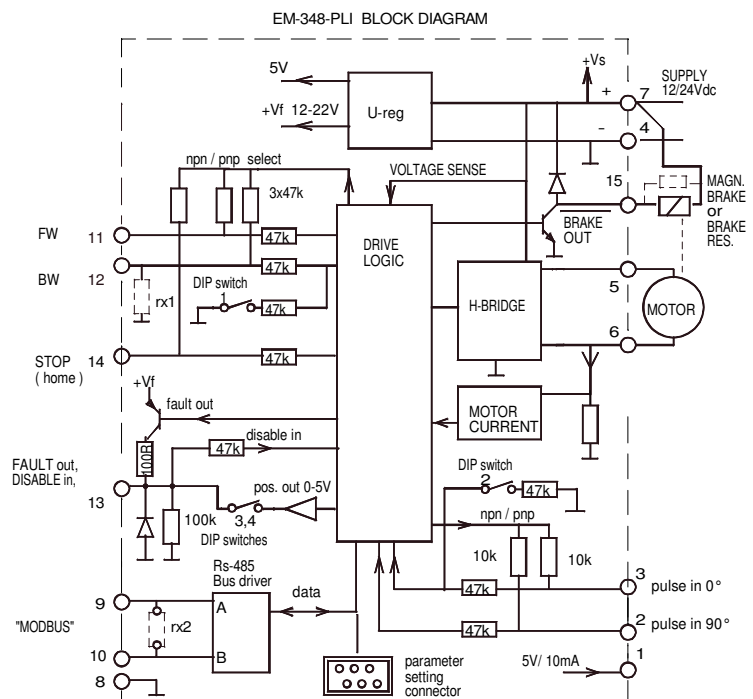
EM-348-PLI is a full bridge DC-motor starter. It is designed to work with DC-motor in applications where some special functions are needed. Starter has adjustable acceleration and deceleration ramps, which make possible the smooth starts and stops. Adjustable current limit protects motor against overcurrent and it can also be used as an end-stop. This device has also two settable speeds, which are usefull in positioning applications. Control inputs FW and BW start the forward and backward run. STOP is for the motor shut-down. In -PLI version there are also PULSE COUNTER which can be used for end limit use. This counter value keep in memory of card also when power is turned off. FAULT output terminal indicates different failure situations. This pin is normally low, but is pulled up in overheat and conditionally also in current trip situation. DISABLE input disables driver as long as this is pulled up externally. Also it is possible to link fault and disable pins of several units together and achieve a synchronous stop. The BRAKE output can be used to release external magnetic brake or control brake resistor in overvoltage situation.

There are two selectable control modes, continuous and impulse. In continuous mode the motor runs as long as the control is active. In impulse mode a short comand starts the motor, and only a new impulse will change the status. There is also few special settings start-kick and auto reverse. The card has selectable input logics. Inputs are divided in two groups, control and limit -inputs. Groups can be individually set for NPN or PNP logic. The parameters are set with EM-236 interface unit. Operation of the controller and some of its functional values can also be monitored with EM-236 interface unit.

This device is designed to control also with Rs-485 Bus. The control bus use Modbus RTU protocol and with the Bus there can be set, speed, direction, acceleration and deceleration ramps and current limit. Also the monitoring and parameter setting are possible with the Bus. There is a separate instruction for operating the bus.

### TECHNICAL DATA

Supply voltage cont. max. 10-35V  
 Overvoltage limit adjustable 15-40V ( hardware limitations )  
 Start up voltage 9V, shutdown voltage 8V  
 Motor current cont. max. 15A, peak max. 30A ( Ta<50°C )  
 Current limit adjustable 0.1-20A ( at start max 30A )  
 Overheat limit 100°C  
 Start and stop ramp adjustable 0-5s  
 PWM frequency 2kHz  
 Speed input scale ( speed-2 ) 0-5V = 0-100% pwm  
 Input control logic: high =4-30V, low=0-1V  
 Control input impedances typ. 47kohm  
 Pulse input imped. typ 10kohm  
 Pulse input freq max. 400Hz  
 Control input response time typ 5ms.  
 Fault out. PNP open coll. 12-22V / max. 50mA  
 Fault/ disable in activation Uin > 4V ( PNP )  
 Brake output NPN 1.5A max. 35V  
 Motor and supply connectors 2.5mm  
 Control connectors 1mm  
 Dimensions 42x72x25mm  
 Dimensions in DIN-rail base 45x80x45mm  
 CE-tested for industrial environment ( emc )  
 Operating temp ( Ta ) -40...60°C  
 Weight 75g



**CONNECTIONS**

Supply voltage must be filtered DC of 10-35V, and ripple should be less than 30% at full load.  
**CAUTION !** Wrong polarity can damage the unit.  
**CAUTION !** Unit doesn't have an internal fuse, so an external fuse should be added if fuse required.

Rs-485 has a separate instruction sheets

**MONITORABLE VALUES**

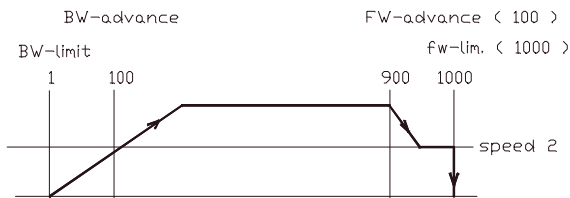
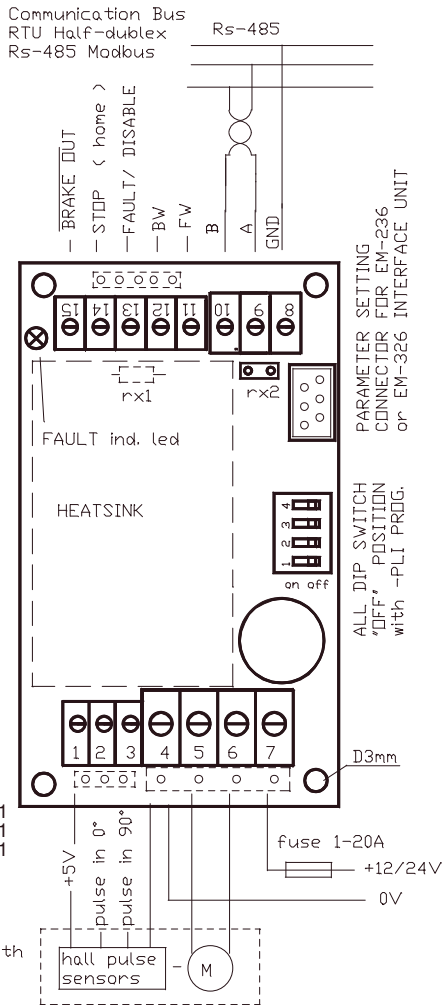
- 1/6 Motor current 0-20A ( 0-200)
- 2/6 PWM-level-% 0-100% (0-100)
- 3/6 hour counter (max.65535h)
- 4/6 start counter (max.65535)
- 5/6 carry counter for start counter
- 6/6 pulse counter value 0-65000

**FAULT-LED signal codes**

- 1. power on one blink
- 2. current on limit led is lit
- 3. current trip fast blinking...
- 4. zero-cur trip long blink- short pause...
- 5. overvoltage 4 x blink -pause...
- 6. overheat short blink- long pause...
- 7. timeout 3 x blink + long blink...
- 8. fault input 2 x short + 1x long blink...

**HOME RUN = PULSE COUNTER RESET**

Pulse counter have to reset to calibrate position. Calibration can be done by start HOME RUN. Then driver start to run BW direction at speed-2. In this running mode limits are not active, so motor run as long as HOME RUN is active. When HOME RUN stops the counter will reset also.  
 HOME RUN can be started with different way: long push same time with FW and BW commands or with STOP /HOME command or with BW commands. See parameter 21.



Example of function of limit. ( with default values )  
 In limit advance point changes speed to the speed-2  
 In limit point the driver brakes motor to stop

**ADJUSTMENT AND SETTINGS ( prog ver. EM-348-PLI v2.0 )**

Adjusting and parameter setting of eg. current limit value, ramp times and speed-2 value is done with the EM-236 interface unit. With EM-236 the parameters and adjusted values can also be copied to multiple devices accurately and reliably.

**SETTABLE PARAMETERS 27pcs. ( defaults in brackets )**

- 1- command mode: 0,1 and 2 ( 0 )  
 0= continuous FW / REV  
 1= impulse commands FW / REV. with stop  
 2=impulse commands FW / REV without stop
- 2- start condition combinations: 0-3 ( 1 )  
 0= start both direction after I-trip and Stop  
 1= start only opposite direction after I-trip  
 2= start only opposite direction after Stop  
 3= start only opposite direction after I- and Stop
- 3- input logic combinations 0-3 PNP/NPN ( 0 )  
 0= command and pulse inputs as PNP ( positive )  
 1= command inputs NPN, and pulse inputs PNP  
 2= command inputs PNP. and pulse input NPN  
 3= command and pulse inputs NPN ( negative )
- 4- running speed-1: 0-100% / 0-100 ( 100 )
- 5- running speed-2: 0-100% / 0-100 ( 50 )
- 6- current limit FW: 0.1-20A / 1-200 ( 30 )
- 7- current limit REV: 0.1-20A / 1-200 ( 30 )
- 8- Trip combinations: 0-3 ( 1 )  
 0= no I-trip, no zero-current-trip  
 1= only I-trip  
 2= only zero-current-trip  
 3= both I-trip and zero-current-trip
- 9- I-trip delay: 0-255ms / 0-255 ( 20 )
- 10- Fault output combinations: 0-3 ( 1 )  
 0= I-trip and zero current won't cause fault output signal  
 1= only I-trip causes fault output signal  
 2= only zero current causes fault output signal  
 3= both I-trip and zero current causes fault output signal.  
 4 =overcurrent indication  
 5 = "run" indication = pull dow when motor run
- 11- overvoltage limit: 15-65V / 15-65 ( 35 )  
 Do not set higher than 40 - hardware limitations  
 Overvoltage can be caused by load driving the motor or when braking the speed down but supply can not accept the current back from driver. Exceeding the limit will cause the power stage set to free-wheel state.  
 With a direct battery supply the brake current is charging the battery and the voltage will not normally rise.  
 There is also 40V fixed dynamic brake point = motor pole shorted
- 12- load compensation: 0-255 / 0-255 ( 0 )  
 Load compensation ( Rxl ) improves low speed and start torque, but too high compensation achieve unstable running. Run motor at low speed ( 30% ) Increase compensation with small steps until motor start behaviour unstable, then decrease value about 10%
- 13- timeout: 0-255s. / 0-255 (0=not in use) ( 0 )
- 14- Reset for start and hour-counter 0/1 ( 0 )  
 selecting 1 and push SAVE => reset counters
- 15- start ramp: 0-5s / 0-500 ( 100 )
- 16- stop ramp: 0-5s / 0-500 ( 100 )
- 17- start-kick 0-200ms / 0-200 ( 0 )  
 This gives full drive at start and I-lim is 30A  
 The start kick length is 0-200ms.
- 18- I-trip auto reversing 0-5s / 0-500 ( 0 )  
 Change automatically run direction when I-trip occurs the revesing time will select with this parameter
- 19 BW counter limit 0-65000 count / 0-65000 ( 1 )  
 Value 0 = limit is disabled
- 20 FW counter limit 0-65000 count / 0-65000 ( 1000 )  
 Value 0 = limit is disabled
- 21 BW-limit advance 0-50000count / 0-50000 ( 100 )
- 22 FW-limit advance 0-50000count / 0-50000 ( 100 )
- 23 HOME RUN start cond. (=pulse counter reset) 0-4 ( 0 )  
 0 = simultaneous FW & BW command 5sec. push  
 1 = also stop input long push 5s. starts HOME RUN  
 2 = also new 5s. BW command starts HOME RUN if motor has stopped on limit or if I-trip occurs.  
 3 = HOME RUN only with 5sec. stop input  
 4 = HOME RUN disabled
- 24 PWM-frequency 1=2kHz / 2=16kHz ( 1 )
- 25- Pin-15 ( brake load ) options 0-1 ( 0 )  
 0= regen. braking = switch on when overvoltage exceed  
 1= running indication = switch on pin-15 when motor run
- 26 Serial line configuration, speed, parity, and number of stop bits ( 1 )  
 1 =9600bps 8N1 5 =19200bps 8N1  
 2 =9600bps 8N2 6 =19200bps 8N2  
 3 =9600bps 8E1 7 =19200bps 8E1  
 4 =9600bps 8O1 8 =19200bps 8O1
- 27 Modbus address 1-247 ( 1 )

**NOTICE.**

Pulse counter should count down when motor run to BW direction or in HOME RUN. Counter value can be monitored with monitor value 6. **IF NOT.** then you have to interchange pulse input wires 2<->3 or interchange motor wires 5<->6.

If pulses counter did not count. then check parameter 3 settings ( pulse input PNP or NPN )

Max input pulse frequency is 400Hz max.  
 For example: 3000rpm x 4pulses/round = 200Hz