

# EM-A3-10K CONTROL POTENTIOMETER

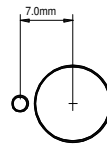
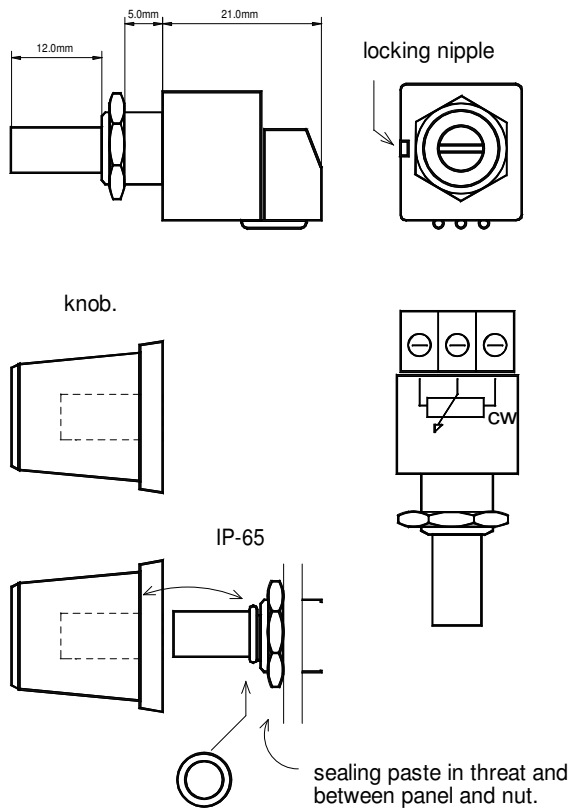
EM-A3-10K is a control potentiometer for automation applications. This unit has a resistor element of conductive plastic material, which offers a good long term endurance. Recommended for indoor use, but with O-ring and sealing material it can be protected against dropping water. Device also includes a scale sticker

## Technical data

Mechanical range 270deg.  
 Electrical range 240deg.  
 Slide material: conductive plastic  
 Nominal resistance 10kohm ( 20% )  
 Linearity better than 5%  
 Shaft diameter 6-6.3mm  
 Max. voltage 30Vdc  
 Mounting hole dia. 10mm ( panel max 5mm )  
 Operating temperature -30...70deg.  
 Scale sticker black / white text  
 Housing IP 40 ( IP65 with O-ring )

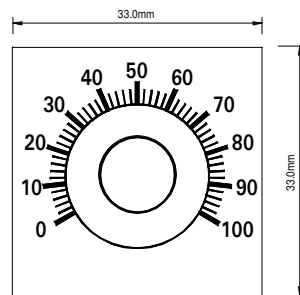
Order code  
 EM-A3-10K

Technical code  
 EM-A3-10K-A-O



mounting hole  
 dia. 10mm  
 locking nipple  
 hole dia. 2.5mm

Scale sticker 0-100  
 Black with white text



Greased O-ring into shaft  
 O-ring should be pressed between  
 potentiometer bushing and bottom of knob.

<i>SPECIFICATIONS</i>	CONTRACT NO.	DATE	COMPANY		
	DRAWN BY: K.M.K	4.9.19	ELECTROMEN OY		
	CHECKED BY: A.J.K	5.9.19	TITLE EM-A3-10K automation potentiometer		
	DESIGNED BY:		SIZE A4	FSCM NO.	DWG NO. / FILE NAME
	DESIGN ACTIVITY		SCALE	DATE	SHEET 1 of 1
	CUSTOMER				