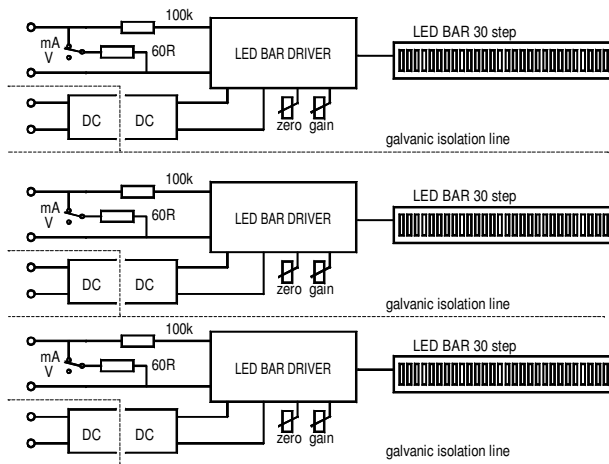
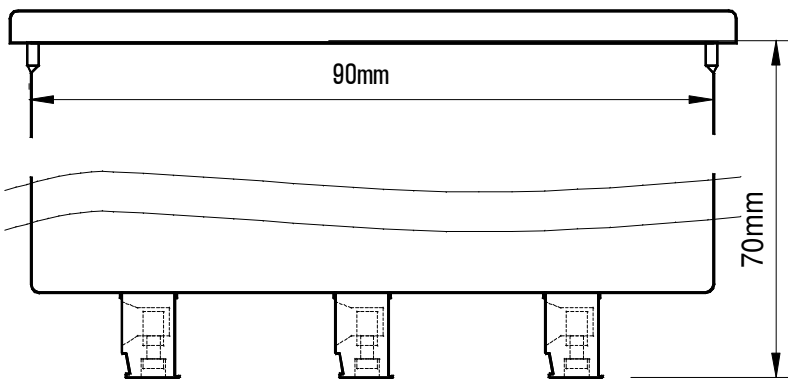
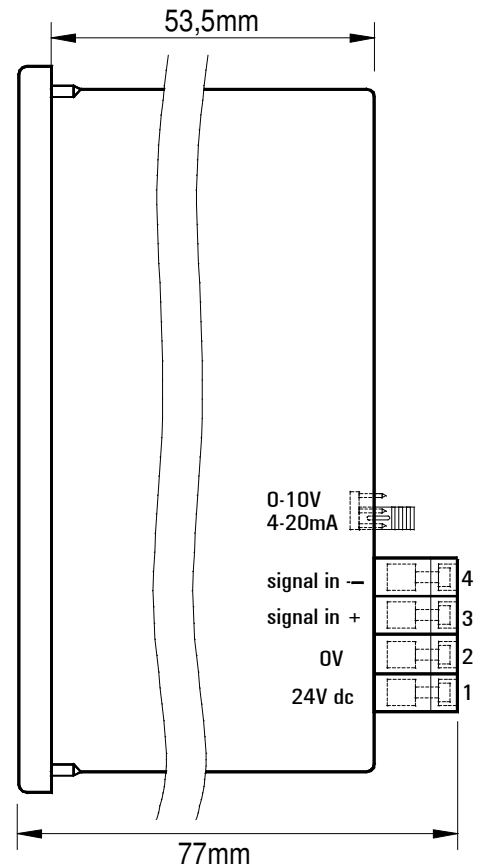
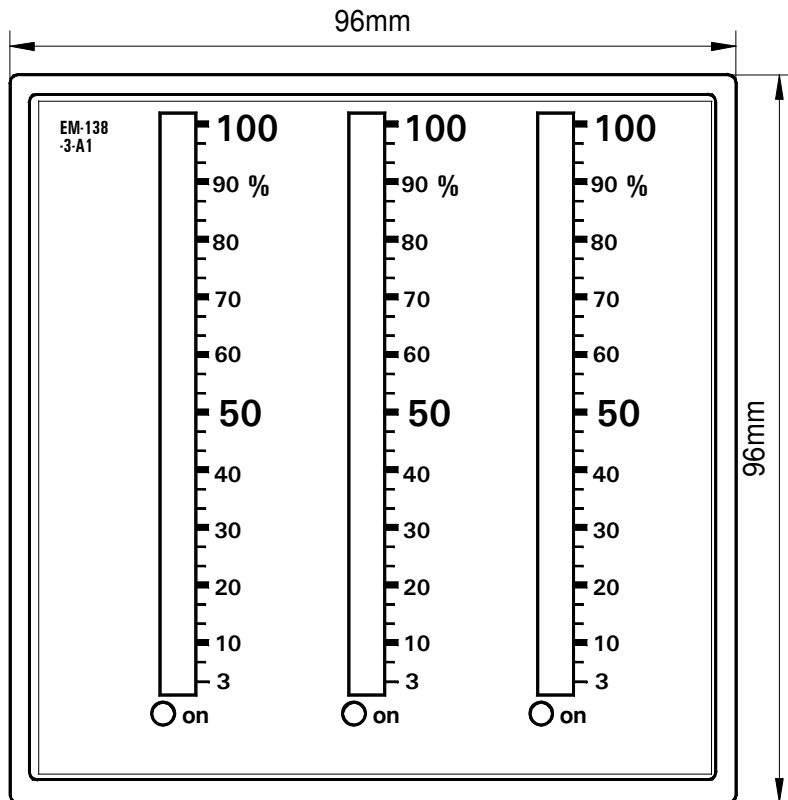


TRIPLE BAR DISPLAY EM-138-3-A1



DESCRIPTION

The EM-138-3 is a three channel 30-led bar display. All channels have two selectable measuring ranges 4...20mA and 0...10V. Signal input is overvoltage and overcurrent protected. Three channels are electrically separate devices, and the signals are galvanically isolated from supply. All channels have adjustments for trimming gain and zero. The range selectors and the trimmers are located at the rear panel. Display colour is red-orange. The background colour is black and the markings are with white.

TECHNICAL DATA

Supply voltage	18-32Vdc (24Vdc nom.)
Supply current	max. 50mA / channel
Input ranges	4...20mA (60ohm) 0...10V (100kohm)
Adjustments	zero \pm 10% min. gain \pm 10% min.
Display	30-leds in bar
Display range	defined case by case
Accuracy	\pm 1led
Sampling	3 times/s
Rated isolation	500Vdc (signal/supply)
Housing	IP40 / IP65 with NGS 96 GHN
Installation	to panel 1-5mm with four NGS-NK screw clamps
Inst. panel cut-out	92x92mm
Dimensions	96x96x77mm
Ambien temp.	5...70°C
Weight	appr. 250g

Connections to screw terminal, cable max. 2,5mm². Cable should be shielded and earthed if possible.

EMC-tested and CE-marked

