

EM-76 DC POWER CONTROLLER



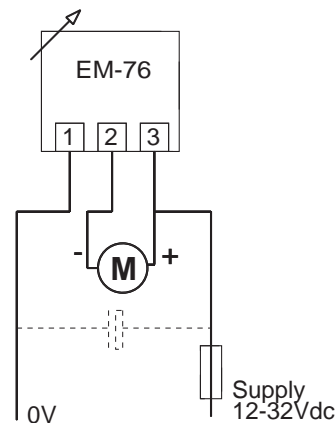
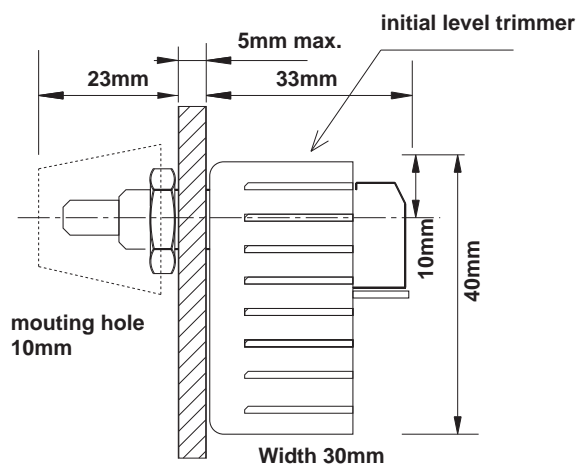
FEATURES:

- Panel mounted
- Adjustable initial level
- For inductive loads (motor / coils)
- Small size
- High efficiency >90%
- Power range 2-100 W
- EMC-tested (CE)
- Overload and short circuit protected

The EM-76 is a panel mounted power controller for DC motors up to 100 Watts with a supply voltage of 12-24 Vdc. In order to achieve high efficiency the PWM principle is used. A suitable supply voltage is filtered DC and where the ripple is less than 20%. If the supply cable is longer than five meters a capacitor close to the regulator is recommended. The max. output power is dependent on the installation i.e. free air or enclosed resulting in amount of heat developed (There are examples in the tech specification). The power is adjusted by the potentiometer on the front, and the initial level set by the trimmer behind the panel. The device is installed through a 10 mm hole and held in place with a nut. The output is protected against spikes, overload and short circuit, it can also withstand reverse polarity as long as the recommended fuse is used. The EM-76 is EMC tested according to the industrial standards EN 50081-2 and EN 50082-2

TECHNICAL DATA

Supply voltage	12-32 Vdc
No load current	< 25m A
Fuse	< T6.3 A
Max output power	3.0 A (installed to plastic panel.) 3.5 A (free air) 4.0 A (installed to metal panel.)
Control range	0-99 % (of supply voltage)
Initial level	0-16 %
Output frequency	typ. 21 kHz
Efficiency	> 90 %
Ambient temperature	-10...50 °C
Dimensions (mm)	40 x 33 x 30
Weight	60 g



CONNECTION EXAMPLE

- Fuse should be chosen according to the application. Maximum value T6.3A
- If supply cables longer than 5 m the capacitor 220uF 35V close to controller is recommended.

