

EM-M11A MULTISCALE GALVANIC SIGNAL ISOLATOR AND CONDITIONER



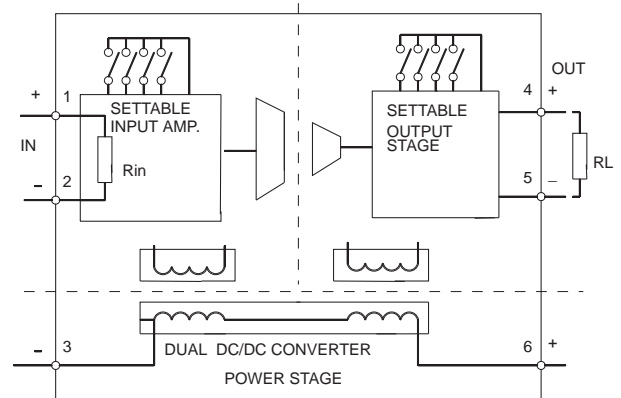
FEATURES:

- Three way isolated
- Multiple operating ranges
- Two frequency ranges
- Dip-switch settable
- Isolation up to 1000 V
- Adjustable zero and gain
- Short circuit protected
- Rail mountable

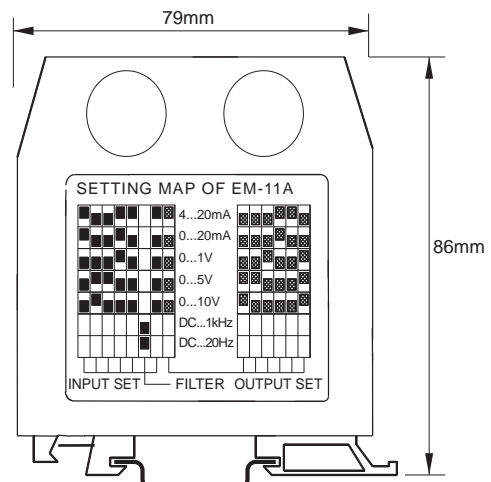
EM-M11A is a multiscale conditioner and isolator module for the commonly used signals in automation. The range setting is easily done with DIP-switches and signal frequency limit can be set to 1 kHz or 20 Hz. Every partition (INPUT, OUTPUT, SUPPLY) is galvanically isolated up to 1000 V. Gain and Zero are easy to adjust and there is no mutual effect between these adjustments. The number of possible input/output signal combinations are up to 25 because any of the selectable input ranges can be combined with any of the output ranges.

TECHNICAL DATA:

Operating voltage	20...32 V
Current consumption	70 mA max
Linearity error	< 0.1 %
Thermal drift	< 50 ppm/°C
Output ranges	
0...1 V	RL > 1 kohm
0...5 V	RL > 1 kohm
0...10 V	RL > 1 kohm
0...20 mA	RL < 700 ohm
4...20 mA	RL < 700 ohm
Input ranges	
0...1 V	Rin 50 kohm
0...5 V	Rin 250 kohm
0...10 V	Rin 500 kohm
0...20 mA	Rin 50 ohm
4...20 mA	Rin 50 ohm
Frequency response	0...1 kHz
	0...20 Hz
Adjust ranges	gain ± 20 %
	zero ± 20 %
Isolation voltage	1000 V
Oper. ambient temp.	0...60 °C



DASHED LINES ARE FOR ISOLATION BORDERS



DIN-MOUNTING RAIL
WIDTH OF THE HOUSING IS 25mm

