

EM-138 30 LED BAR DISPLAY



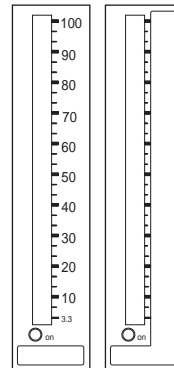
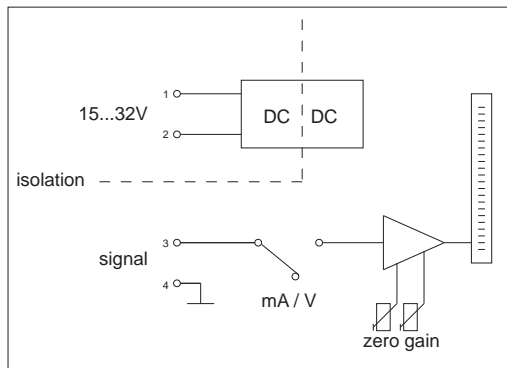
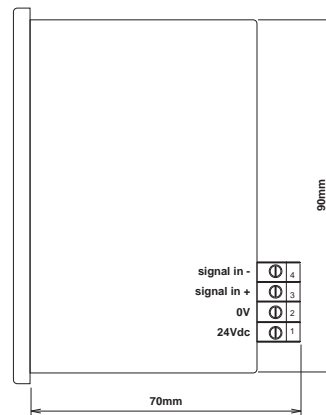
FEATURES:

- 30 leds
- galvanically isolated supply
- mA / V input
- zero / gain adjustment
- panel mountable 96 x 24 mm

EM-138 is 30 leds bar display. The meter has two measuring ranges: 4...20mA or 0...10V. Signal input is protected against overvoltage and overcurrent. The supply voltage is galvanically isolated from signal stage. Unit has zero and gain trims for signal adjustment. The range selector switch and the adjust trims are located in the rear panel of the device. The color of the display is red-orange. The background color of the meter is black and the markings are white.

TECHNICAL DATA

Supply	20-32Vdc
Current consumption	max. 60mA
Load	4...20mA (60 ohm) 0...10V (100kohm)
Adj. range	10% (zero) 10% (gain)
Display	30 led bar display
Display resolution	3.3% step
Display sampling	3 times/s
Isolation voltage	500V (supply / signal)
Housing	IP44
Inst. panel cut-out	92x21mm
Dimensions	96x24x70mm
Operating temp	0...60°C
Weight	n.100g



The unit is supplied with two different scale labels: 0...100% and an empty label for desired scale to be placed underneath.

