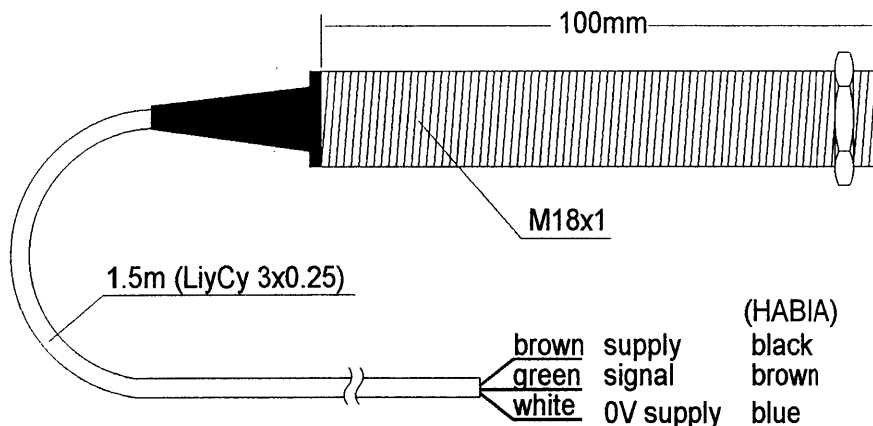


HALL-EFFECT ROTATIONAL SPEED SENSOR EM-30-HALL



Features:

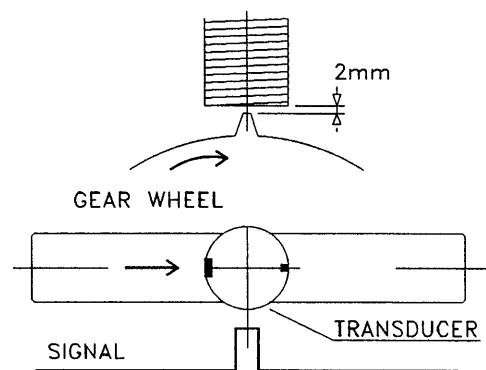
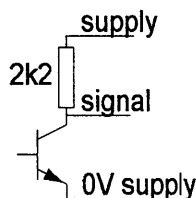
- * For ferrous gear wheels
- * Up to 5kHz
- * Zero speed capability
- * Voltage range 12-30Vdc
- * Short circuit protected
- * Supply polarity protected
- * High RF-immunity
- * IP-67 / stainless body
- * Temp. range -10...80°C

EM-30-HALL -transducer operates with ferrous materials. Transducer is sensitive to the direction of the magnetic flux. The transducer has marks for directing it to the rotating level of the gear wheel. The air gap between wheel and transducer can vary from 3 to 0mm. The nominal installation distance is 2mm. The minimum nominal module for the gear wheel is 2mm (DIN). If the transducer is used with gear wheels smaller module than 2mm, the installation distance should be decreased. With substantially larger gear teeth the distance can be increased to 3mm.

Technical information:

Supply voltage: 12 - 30Vdc
 Quiescent current: max. 25mA
 Output current: source $V_{cc}/2200\text{ohm}$
 sink 30mA
 Pulse frequency: 0...5kHz
 Gear wheel module: nom. min. 2mm
 Installation distance: 2mm, nominal
 Operating temp. range: -10...80°C
 Degree of protection: IP 67
 Body (and nut) material: AISI 317

Output stage



Tooth coming from the direction of the larger mark gives an up-going pulse.