

EM-M14 LOOP POWERED 4...20 mA GALVANIC ISOLATOR



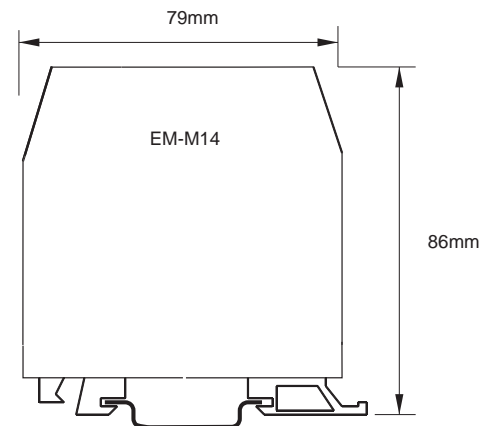
FEATURES:

- No supply required
- Operation range 0...25 mA
- Isolation up to 2000 V
- Low voltage drop
- Over current protected
- Over voltage protected
- Incorrect polarity protected
- Wide input voltage range
- Rail mountable

EM-M14 is an easy way to isolate current loop signals obtaining a good accuracy. No additional supply voltage is required. Voltage drop is minimal although the input voltage range is very wide. EM-M14 isolator is effectively protected against misconnections, over voltages and over currents. Output current can also be converted to a voltage signal with the inbuilt 100 ohm resistor. NOTE: As an additional feature the EM-M14 module can also be used to isolate loop powered transducers.

TECHNICAL DATA:

Operating range	4...20 mA (0...25 mA)
Voltage drop	< 4 V at 20 mA
Linearity error	< 0.1 %
Thermal drift	< 50 ppm/°C
Loading error	< -0.05 % / 100 ohm
Load (RL)	0...500 ohm
Input voltage range	4...27 V
Input voltage limit	30 V
Over current limit	50 mA
Frequency response	0...30 Hz
Settling time	30 ms
Oper. ambient temp.	-10...60 °C



DIN-MOUNTING RAIL
WIDTH OF HOUSING IS 25 mm

